



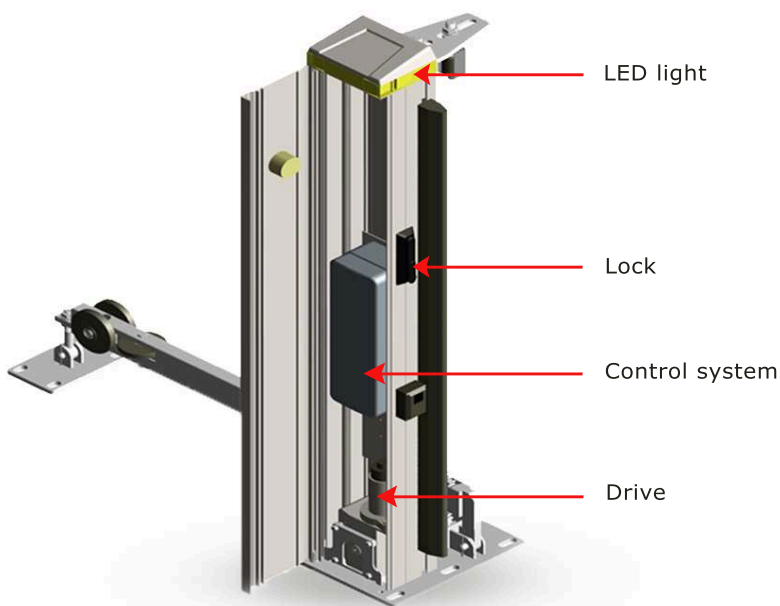
BALU[®]

EIN BÄR VON EINEM TOR

Technical details

drive system INLINE 100

Dimensions base plate single post	400 x 330 mm
Dimensions base plate double post	563 x 330 mm
Dimensions aluminum post	220 x 172 mm
Max. Weight of gate	700 kg
Control system	CCI9242
Battery backup (UPS)	NiMH
Temperature range	-20°/+60°C
Supply voltage	230 V AC
Control voltage	24 V DC
Limit switch - encoder	Encoder
Torque approx.	60 Nm



Stroud, Gloucestershire
GL5 3RR
United Kingdom

T: +44 1453 373003

E: office@peritect.co.uk
W: www.peritect.co.uk



www.b-alu.at



www.colibri-tore.at