

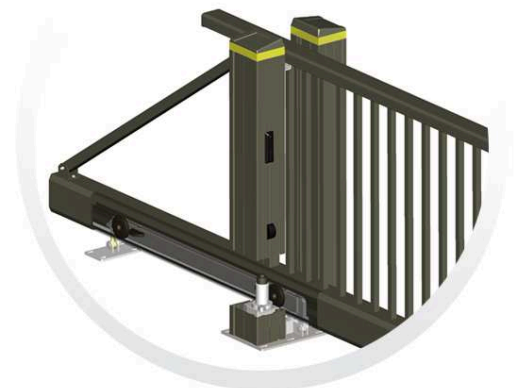
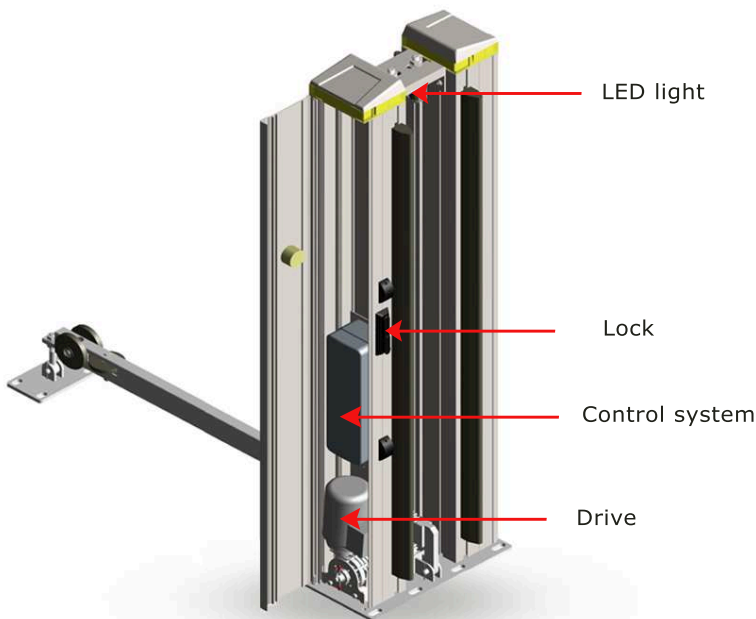


**BALU**<sup>®</sup>

EIN BÄR VON EINEM TOR

## Technical details drive system INLINE 180

Dimensions base plate single post	400 x 330 mm
Dimensions base plate double post	563 x 330 mm
Dimensions aluminum post	220 x 172 mm
Max. Weight of gate	1500 kg
Control system	DKS 400 V
Battery backup (UPS)	NiMH
Temperature range	-20°/+60°C
Supply voltage	400 V AC
Control voltage	24 V DC
Duty cycle	100%
Limit switch	Inductive
Torque approx.	80 Nm
Speed approx.	10 m / min



Stroud, Gloucestershire  
GL5 3RR  
United Kingdom

T: +44 1453 373003

E: [office@peritect.co.uk](mailto:office@peritect.co.uk)  
W: [www.peritect.co.uk](http://www.peritect.co.uk)



[www.b-alu.at](http://www.b-alu.at)



[www.colibri-tore.at](http://www.colibri-tore.at)