

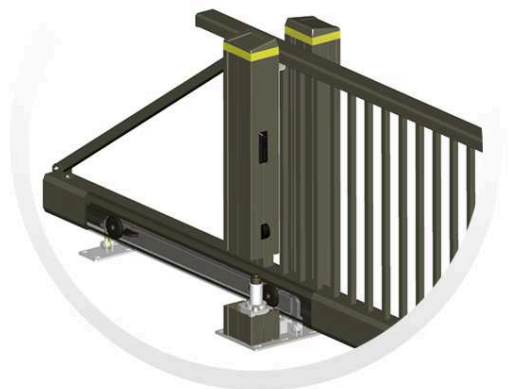
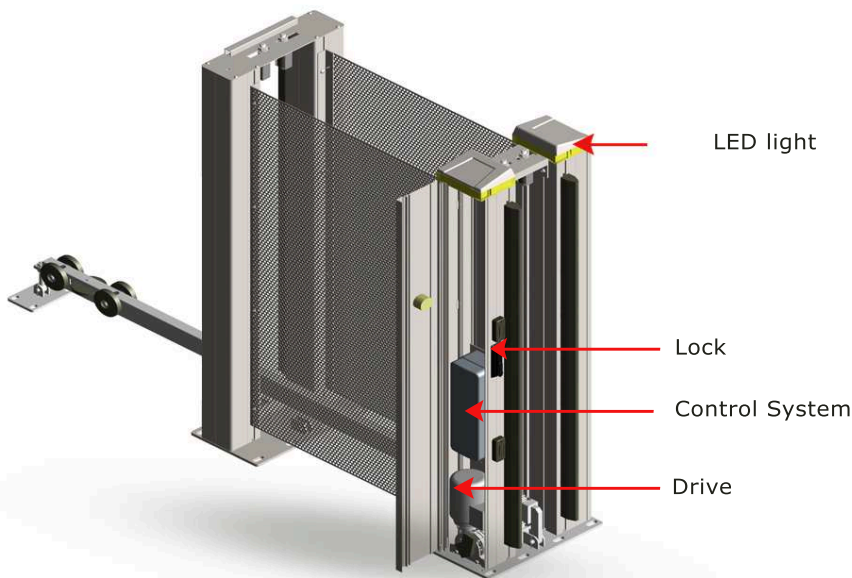


BALU[®]

EIN BÄR VON EINEM TOR

Technical details drive system INLINE 250

Dimensions base plate single post	400 x 330 mm
Dimensions base plate double post	563 x 330 mm
Dimensions aluminum post	220 x 172 mm
Max. Weight of gate	3500 kg
Control system	TPS 35
Temperature range	-20°/+60°C
Supply	230 V AC
Control voltage	24 V DC
Duty cycle	100%
Limit switch.	Absolute encoder
Torque approx.	100 Nm
Speed is adjustable approx.	12-18 m / min



Stroud, Gloucestershire
GL5 3RR
United Kingdom

T: +44 1453 373003

E: office@peritect.co.uk
W: www.peritect.co.uk



www.b-alu.at



www.colibri-tore.at