



Bull 600x273 - 800x273

HYDRAULIC BOLLARD FOR TRANSIT AND PARKING AREAS AND FOR THE PROTECTION OF PUBLIC ACCESS

Barriers and Bollards •



BULL INOX

BULL

- Bollard with hydraulic movement for max. silence and longer life produced inside the SEA facilities.
- Compact version with incorporated hydraulic device for easy installation
- Easy release system with personalized key
- External control unit (SEA recommends GATE1 or GATE2) for BULL HYDRO
- Foundation box
- 4mm thickness on request also with stainless steel cylinder
- Electro-valve for automatic drop into the case of power failure (ELV) 24V
- On request SEM card for traffic light management WLIGHT and limit switch position.
- On request MASTER- SLAVE kit for connection in series of 2 or 2 groups of synchronized bollards

CODE	NAME	PCS PER PALLET
12500005-A	BULL600 HYDRAULIC complete with lights	4
12500006-A	BULL600 HYDRAULIC INOX complete with lights	4
12500120-A	BULL600 ELV HYDRAULIC with Electro-valve	4
NEW 12500131 *	BULL800 HYDRAULIC complete with lights	4
NEW 12500132 *	BULL800 HYDRAULIC INOX complete with lights	4

*On request

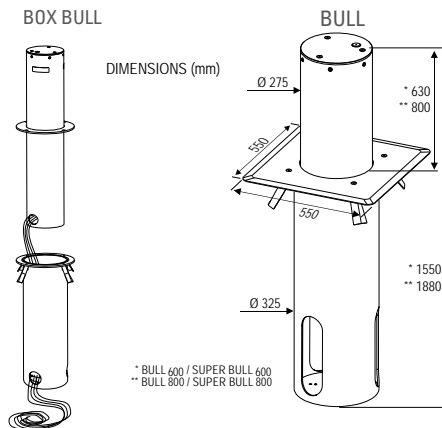


LED lighting system with new IP67 connections and resinated circuit with box



BOX BULL

DIMENSIONS (mm)



HYDRAULIC UNIT

Hydraulic pump capacity	4 l/min
Average operation pressure	2.2 MPA (22 bar)
Maximum pressure adjustment	4.5 MPA (45 bar)
Operation temperature	-20°C + 55° C
Hydraulic oil	SEA
Protection class	IP67

ELECTRIC MOTOR

Power Supply	230V - 50 Hz
Absorbed Current	1.65 A
Motor Power	330 W
Capacitor	12.5 mF
Rotation speed	2800 rpm
FREQU. OF USE	30%

ACCESSORIES •



23105151

WLIGHT with red / green lights* use SEM card



23105153

SLIGHTRED Red light



23105154

SLIGHTGREEN Green light



66201286

RAL Supplement RAL(grey anthracite)



12710360(*)

ZK Foundation with plate rag bolts



23021105

SEM2 card traffic light WLIGHT management

HYDRAULIC PISTON

Exit time of the rod	6 sec.
Rod effective stroke	720 mm
Rod diameter	16 mm
Piston diameter	30 mm
Max traction force during rod exit	275 kg
Max traction force during rod re-enter	147 kg
Power supply obstruction light (led)	24V
Shock resistance	9.000 Joule
Crashing resistance	120.000 Joule



12710350

CARBULL Vehicle manhole cover



12710377

BOX BULL 600 Steel foundation form with plate and rag bolts



12710378

BOX BULL 800 Steel foundation form with plate and rag bolts



12710935

KEY-S Special key SEA for release



12711030

KEY-P Lock release Kit for fire-fighters



23001220

KIT MASTERSLAVE n. 2 pcs



The standard installation: BULL+ZK or BULL+ BOX BULL

*Obliged accessories (ZK foundation plate or BOX BULL complete)

NOTE: The FIXED comes with base which can be fixed on the foundation plate with rag bolts for more stability.

*